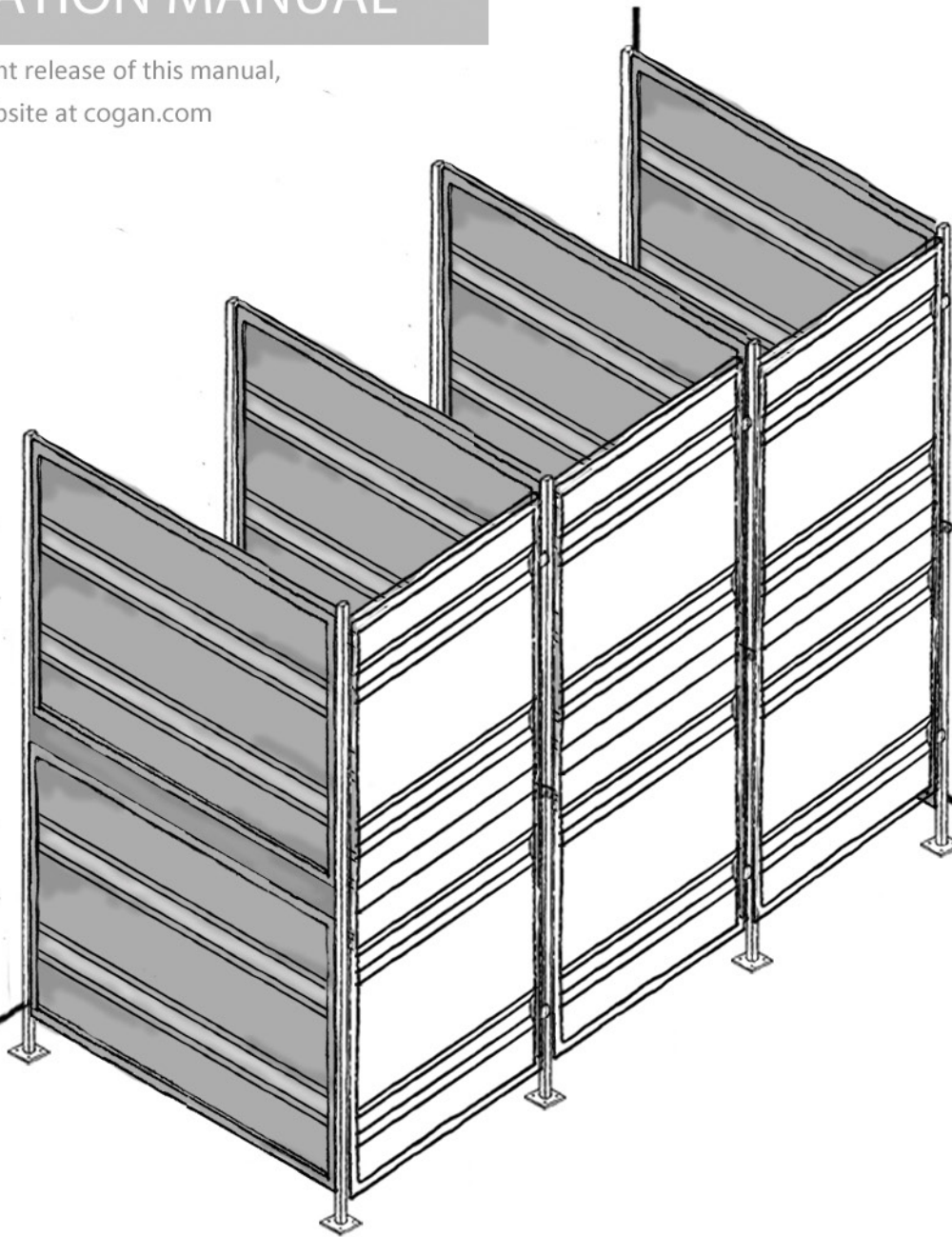


INSTALLATION MANUAL

For the most current release of this manual,
please visit our website at cogan.com

V.2017.1



Product	Lockers
Sub-product	Sheet Metal Single Tier - Tenant Storage Locker

- Free Standing or optional to anchor to the wall from the back.

- Single tier swing door equipped with padlock hasp.

- Max height 7' and 8' high.

- Post 2"x2".



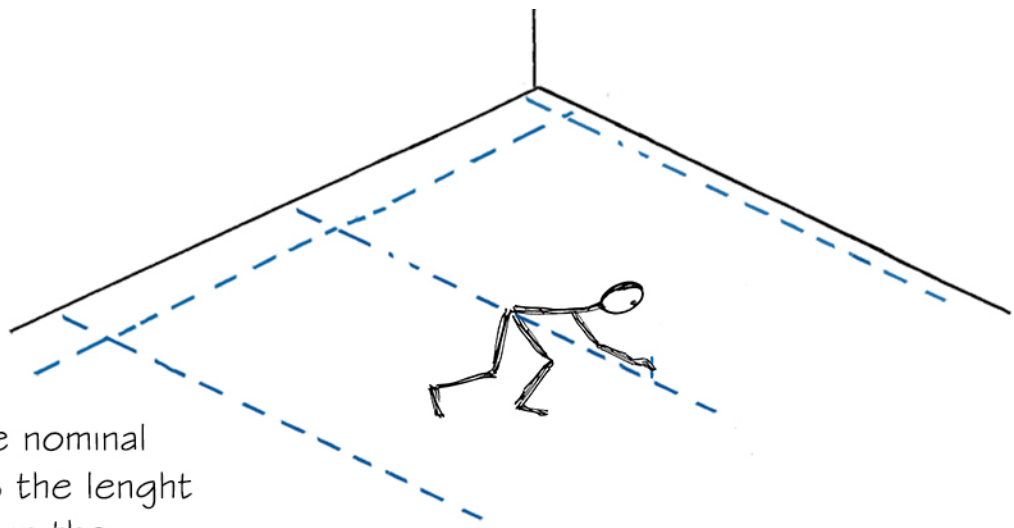
Cogan[®]

A Tradition of Quality Since 1901

cogan.com

STEP 1 CHALK LINE

Start off by drawing the chalk line of where the posts are going to be located.

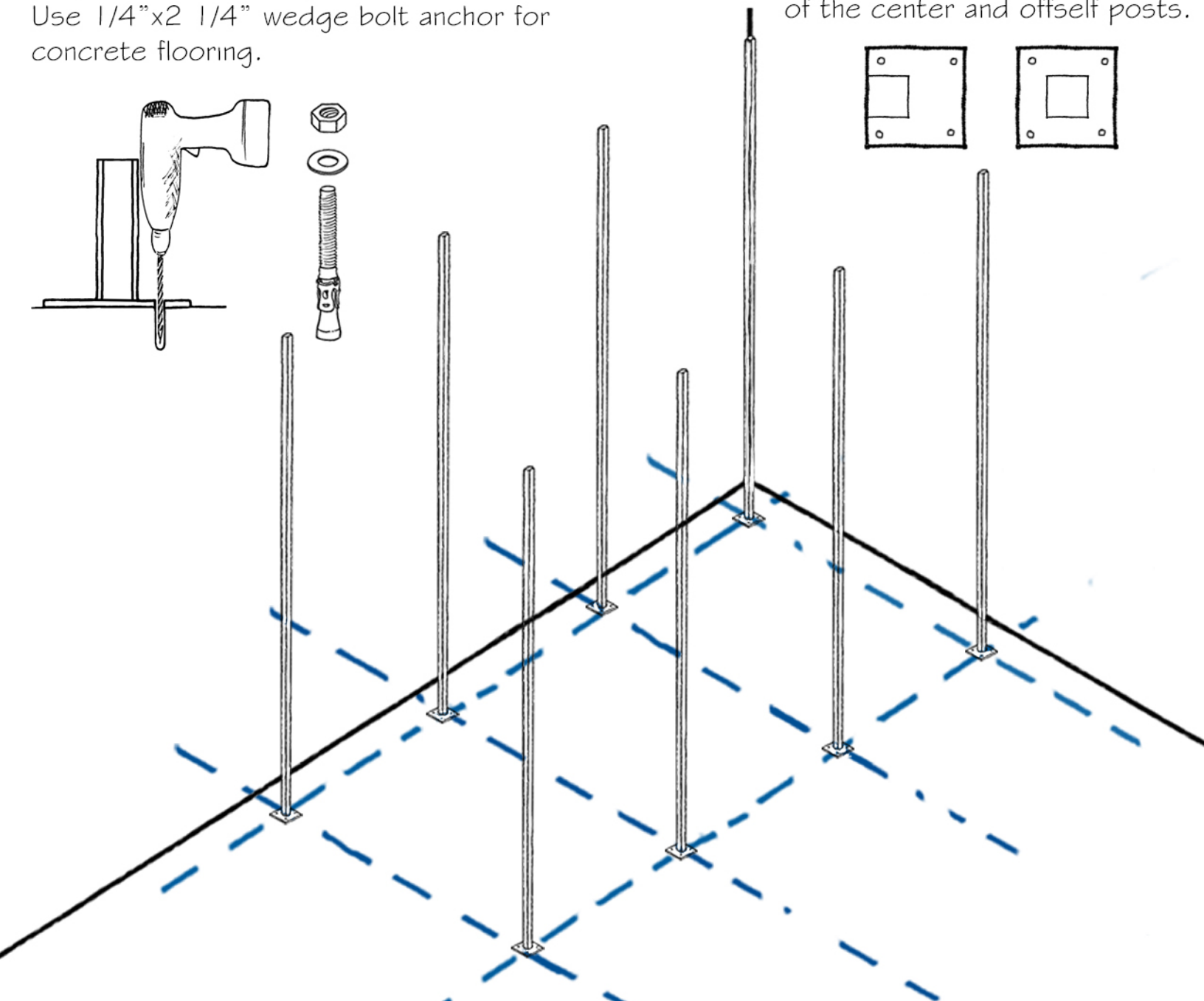
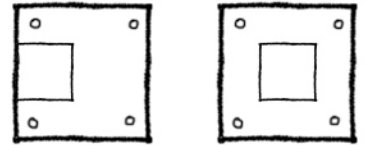
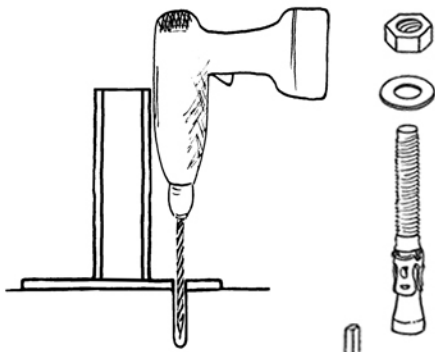


STEP 2 ANCHORS

Hammer drill a hole with the same nominal diameter and at least as deep as the length of the anchor. Drive the hilti bolt in the hole so that at least **6 threads** are below the top surface of fixture. Then tighten to the recommended torque value to achieve proper anchor setting.

Use 1/4"x2 1/4" wedge bolt anchor for concrete flooring.

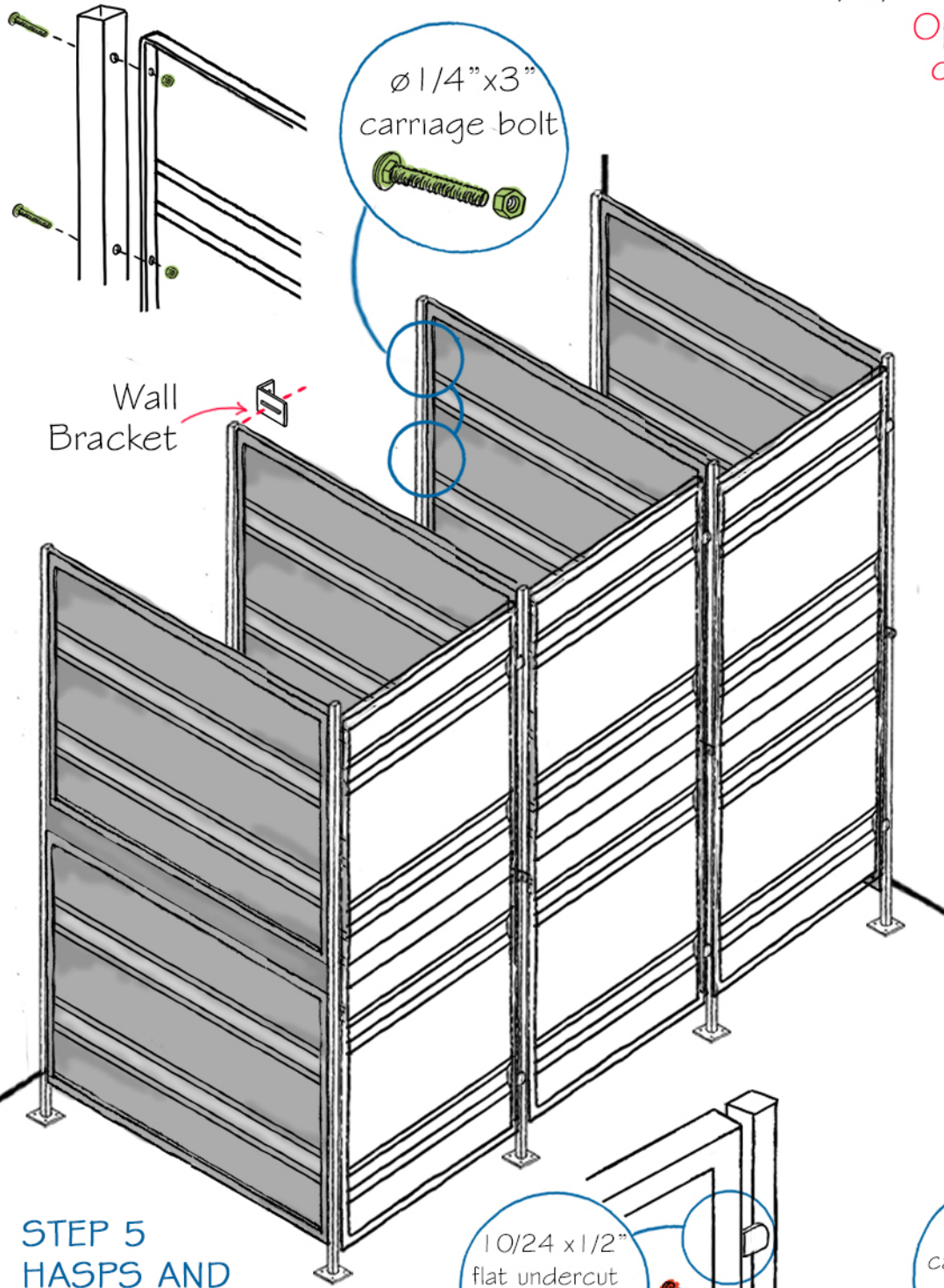
Refer to your approval drawing for the placement of the center and offself posts.



STEP 3 - OPTION #1

SIDE PANELS

Attach each side panel on posts using carriage bolts in all the pre-punched holes.

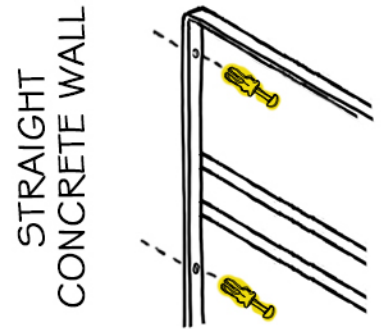


STEP 3 - OPTION #2

SIDE PANEL ATTACHMENT

If purchased locker without back posts, the side panels will be anchored directly to the wall with a $\varnothing 1/4'' \times 1 1/4''$ long nail anchor.

Option #2 can only be used on straight concrete walls.



STEP 4

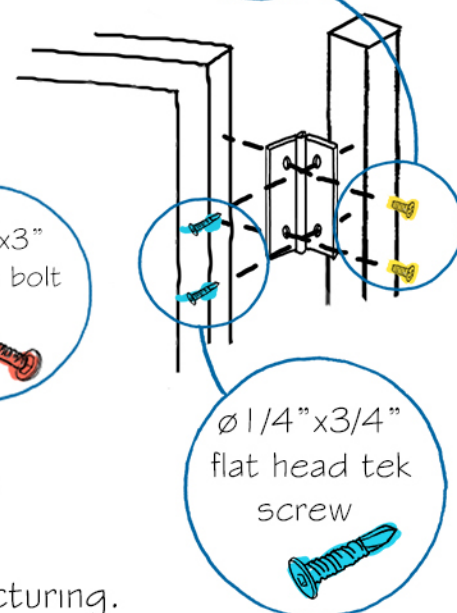
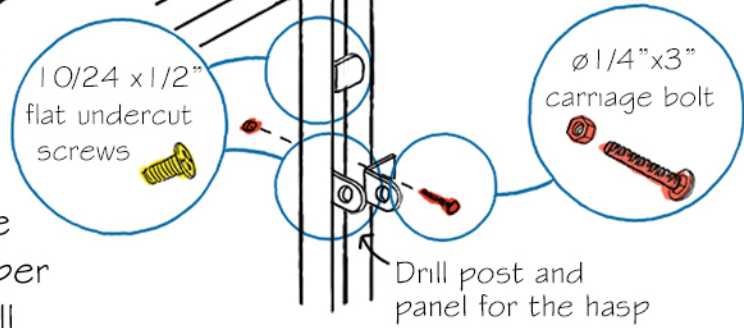
HINGES

Screw the hinges to the door frame using $10/24 \times 1/2''$ flat undercut screws. Then attach the door hinges to the post using $\varnothing 1/4'' \times 3/4''$ flat head tek screw.



STEP 5 HASPS AND DOOR STOPPER

Drill a hole in the door frame and post for the door stopper and padlock hasp. Cogan will install the hardware of requested by the client.

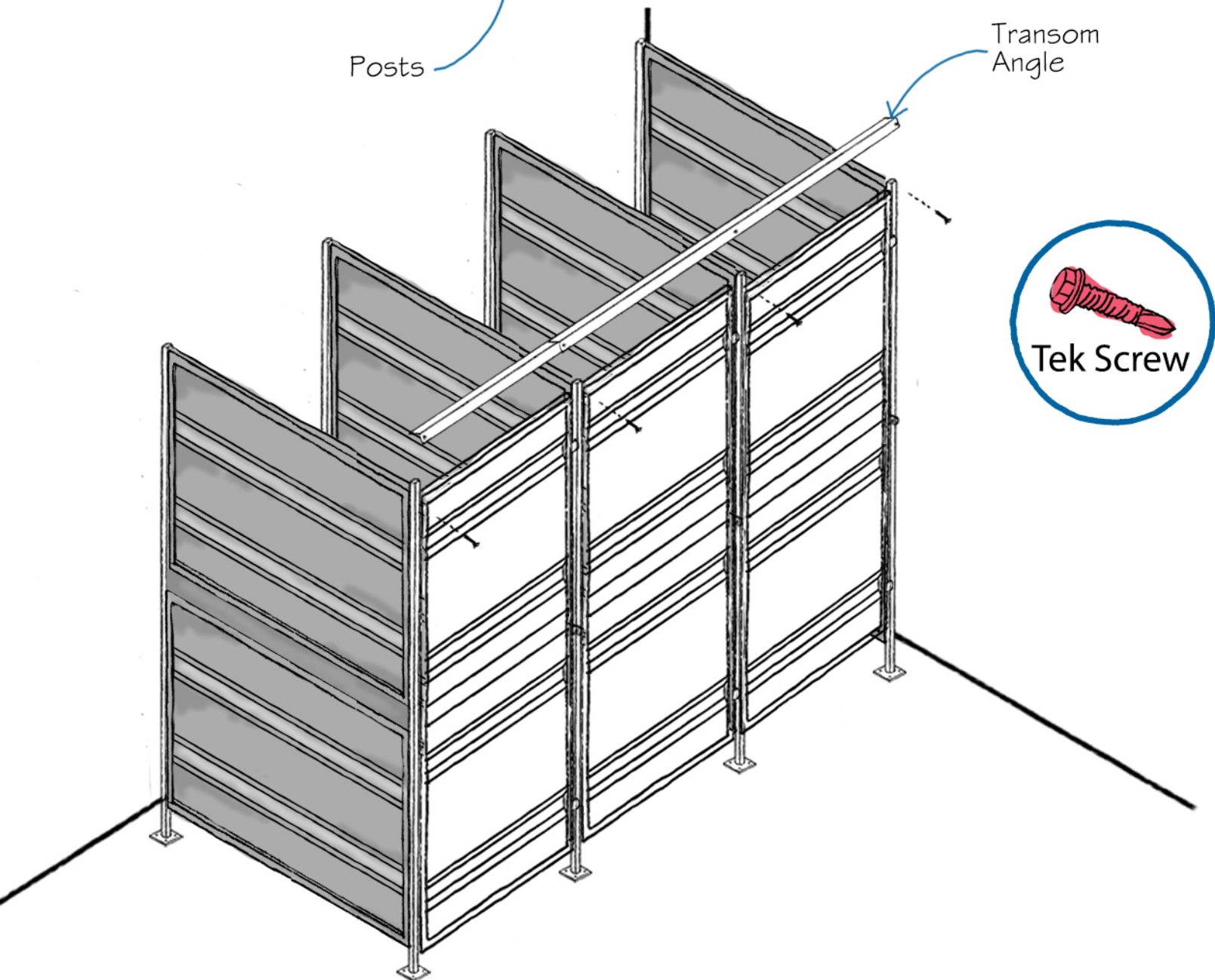
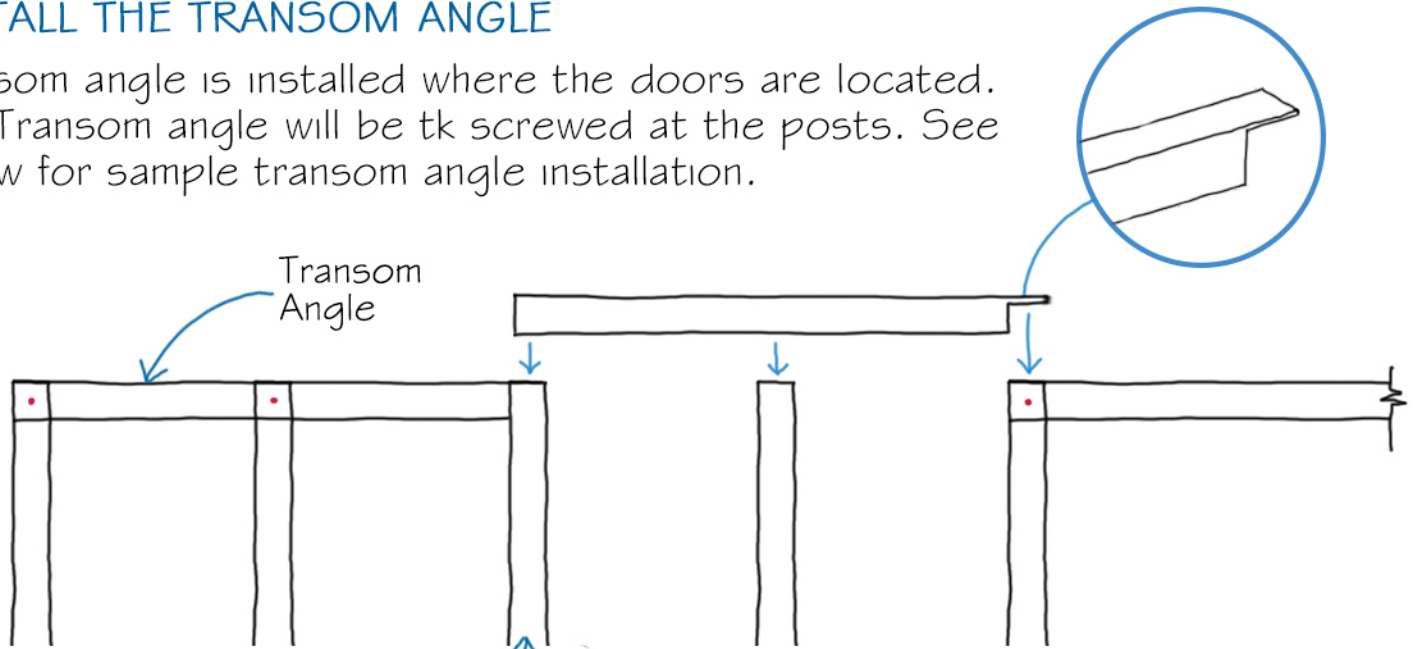


**Cogan installs during manufacturing.

STEP 4

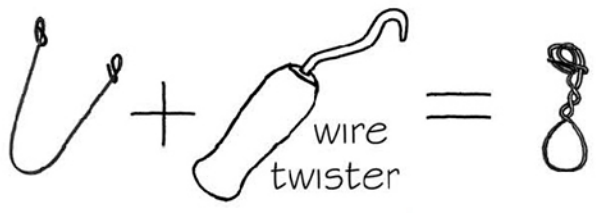
INSTALL THE TRANSOM ANGLE

Transom angle is installed where the doors are located. The Transom angle will be tek screwed at the posts. See below for sample transom angle installation.

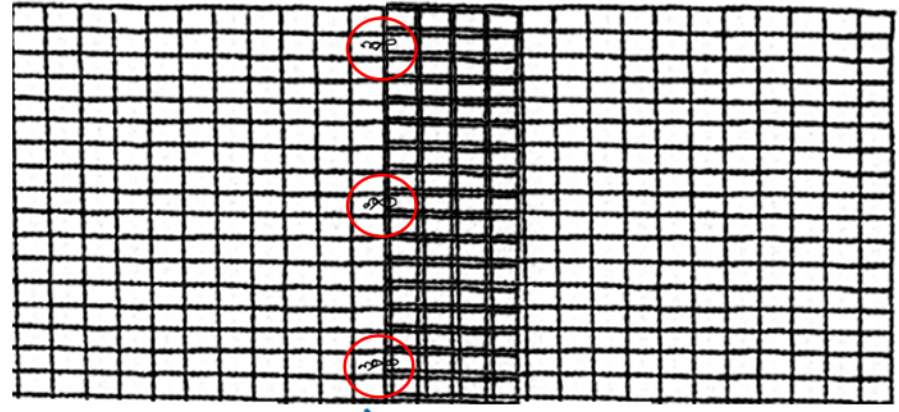


STEP 6 ROOF ATTACHMENTS

The roof mesh shall be attached to each side panel (and transom, if applicable) using wire wrap. Make sure the roof panels are aligned properly, to insure a perfect door opening fit.



IMPORTANT: IF MESH IS LONGER THEN LOCKER DO NOT TRIM, OVERLAP THEM AND PUT WIRE WRAP AT EVERY 1'.



Larger than 4' panels require support roof brackets

